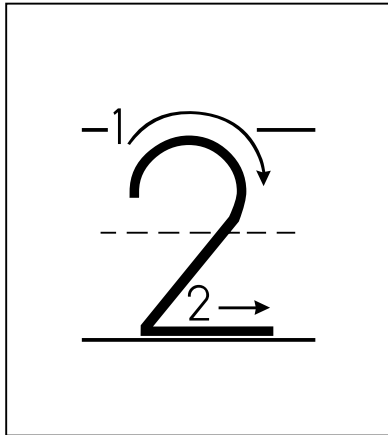


Come right down and that is all.  
Come right down and that is all.  
Come right down and that is all,  
to make the numeral 1!



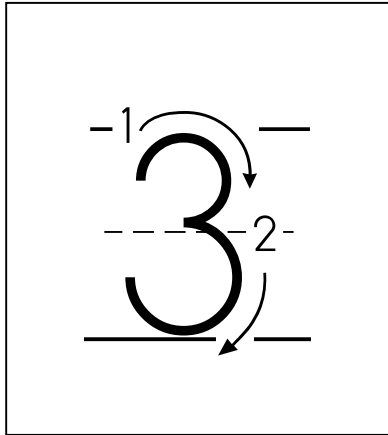
---

---

---

---

Curve around and slide to the right.  
Curve around and slide to the right.  
Curve around and slide to the right,  
to make the numeral 2!

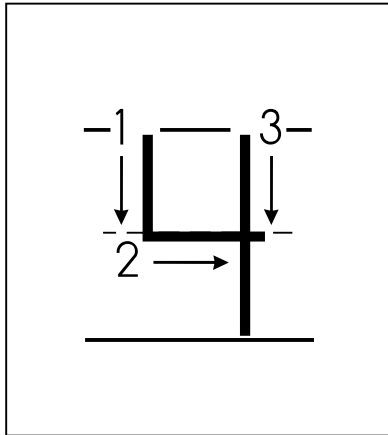


---

---

---

Curve in and around again.  
Curve in and around again.  
Curve in and around again,  
to make the numeral 3!

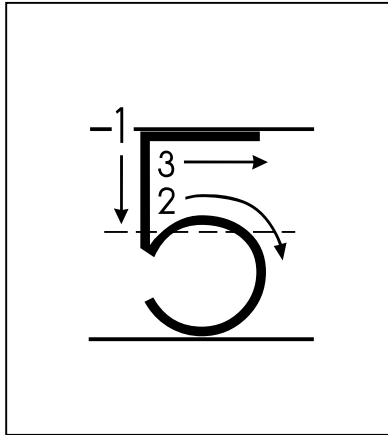


---

---

---

Down, over, down some more.  
Down, over, down some more.  
Down, over, down some more,  
to make the numeral 4!

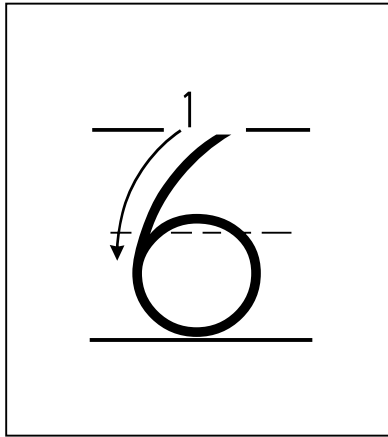


---

---

---

Down, around, put on a hat.  
Down, around, put on a hat.  
Down, around, put on a hat,  
to make the numeral 5!



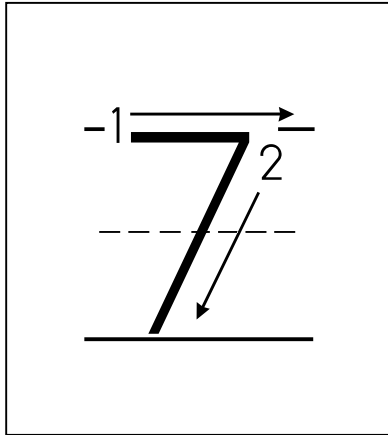
---

---

---

---

Curve around and curl it up.  
Curve around and curl it up.  
Curve around and curl it up,  
to make the numeral 6!

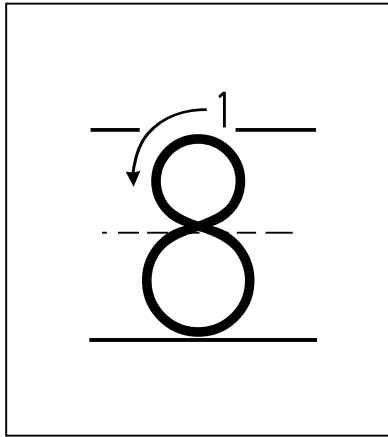


---

---

---

Slide to the right and slant it down.  
Slide to the right and slant it down.  
Slide to the right and slant it down,  
to make the numeral 7!



---

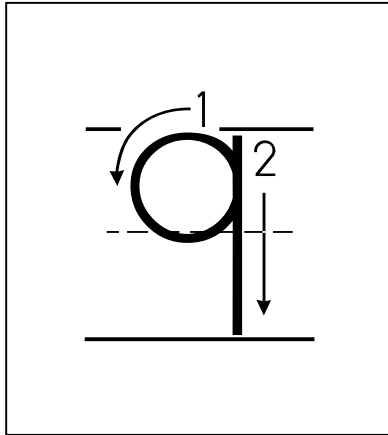
---

---

---

Make an S and close the gate.  
Make an S and close the gate.  
Make an S and close the gate,  
to make the numeral 8!





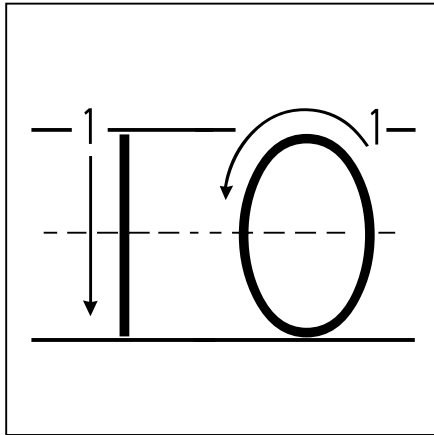
---

---

---

---

Make a circle, then a line.  
Make a circle, then a line.  
Make a circle, then a line,  
to make the numeral 9!



---

---

---

---

Come right down and make a zero.  
Come right down and make a zero.  
Come right down and make a zero,  
to make the numeral 11!

# The Numeral Song

---

Name

These are the number rhymes that we say when we write our numerals. They really help children to write numerals the correct way and eliminate reversals. Please keep this book in a special place and practice the rhymes with your child. Be sure that your child starts at the top and on the left.